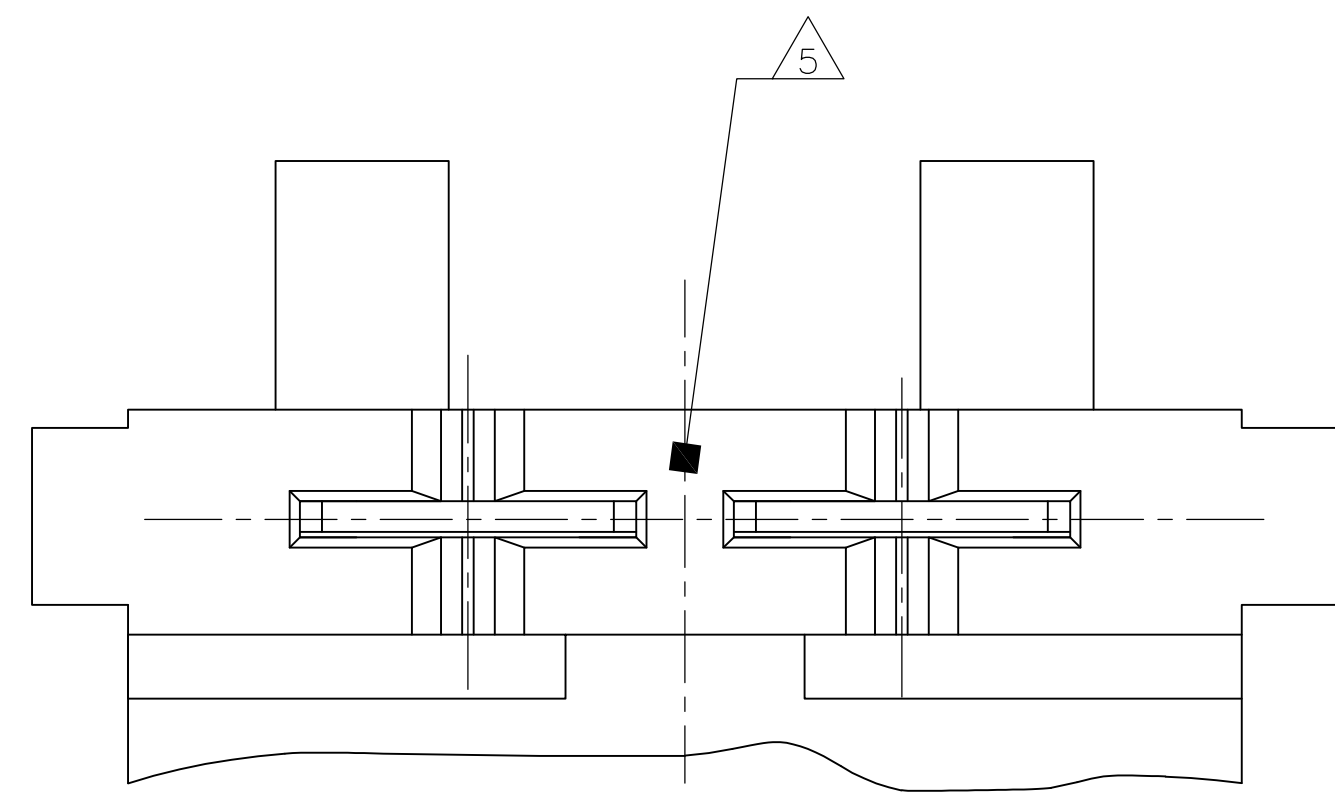
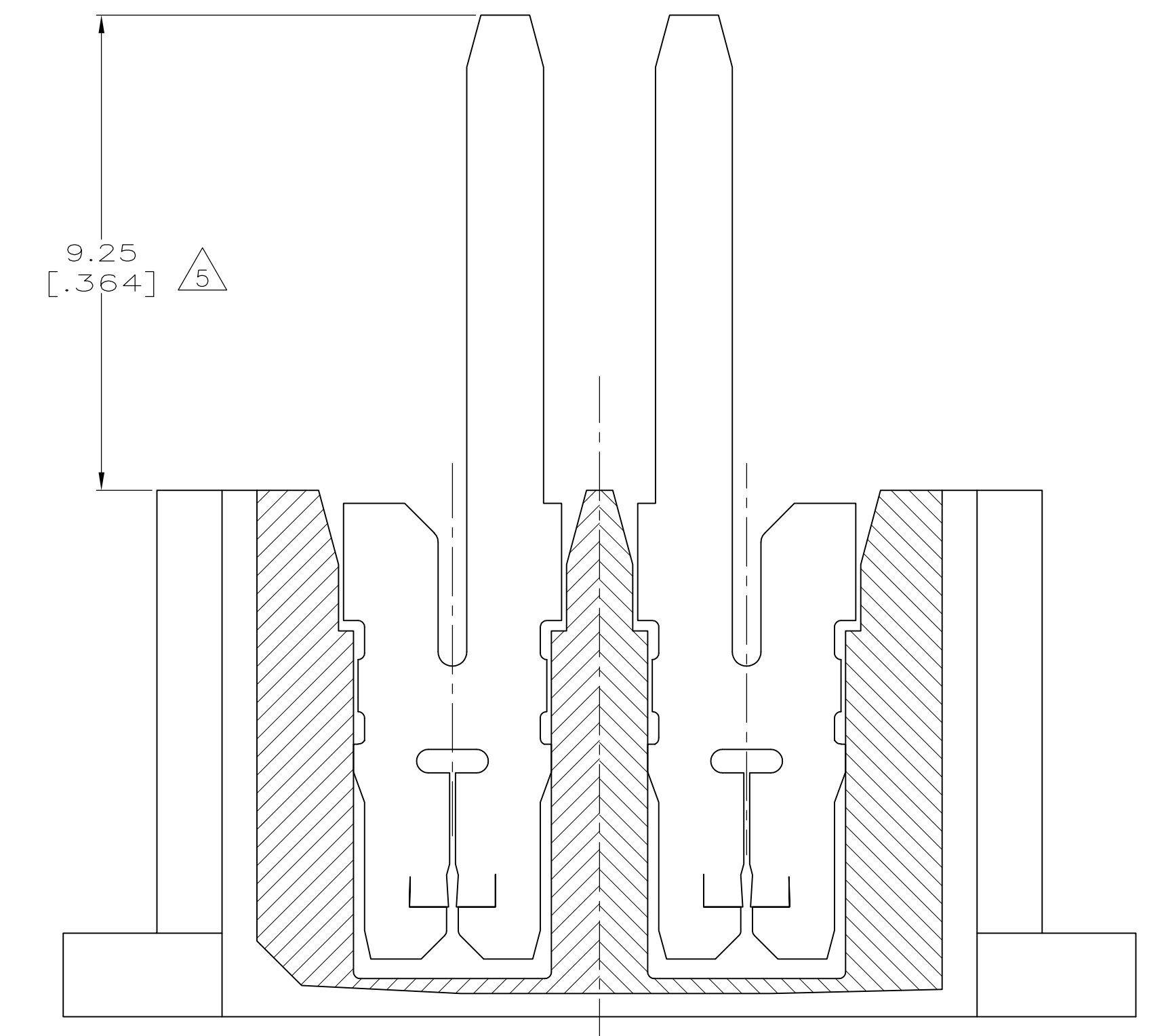
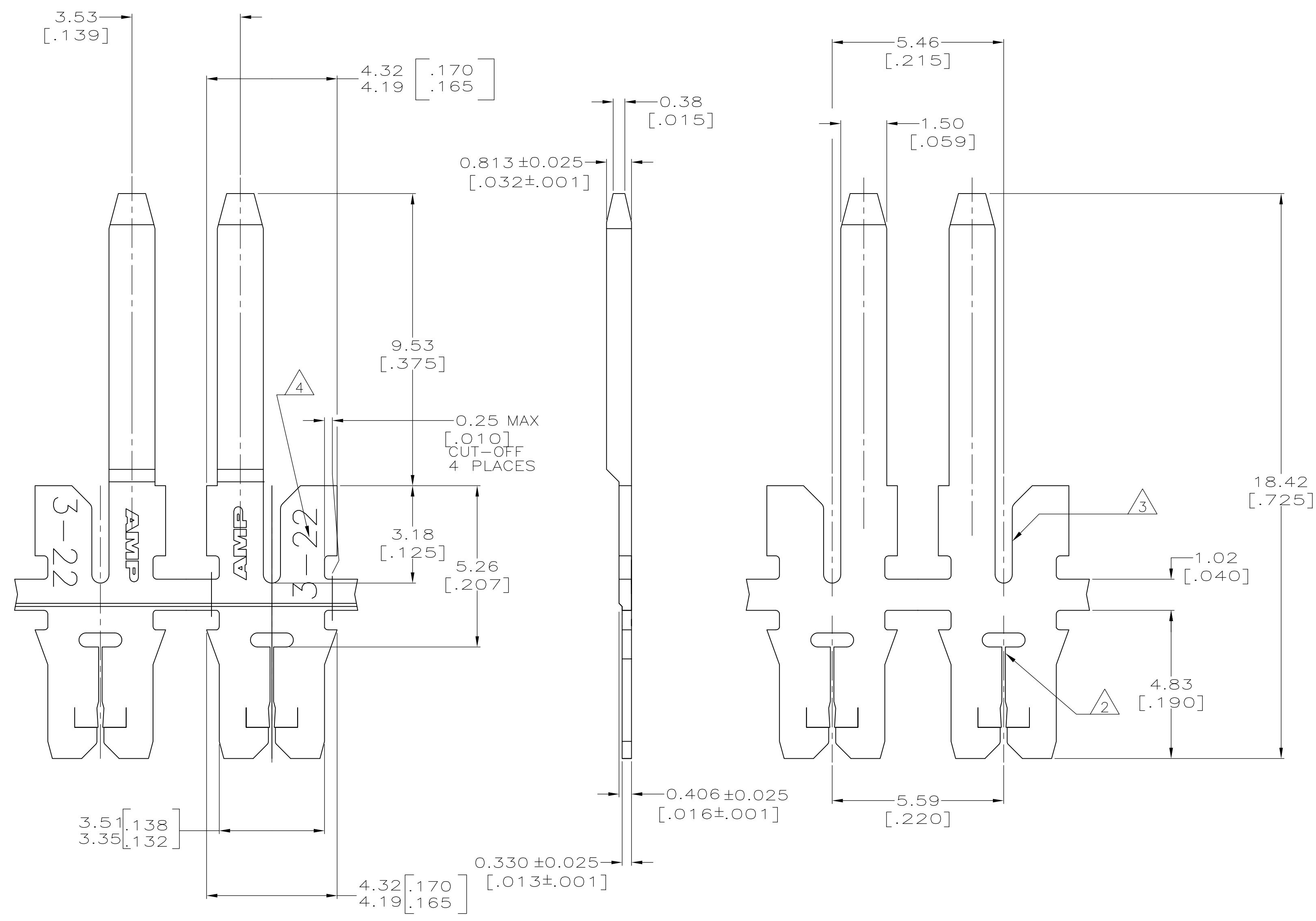


LOC		DIST		REVISIONS			
AF	50	REV	DATE	BY	CHKD	APVD	
A1		REVISED PER ECR-12-011840	06JUL12	KH	KR		



- 1 CONTINUOUS STRIP ON REELS WITH TERMINALS LOCATED ON 11.18±0.08 [.440±.003] CENTERS
- 2 SLOTS ACCEPTS 0.16 - 0.18mm [#34-#33] AWG COPPER MAGNET WIRE. TWO WIRES OF THE SAME SIZE MAX PER SLOT.
- 3 SLOT ACCEPTS A SINGLE 0.6mm [#22.5]AWG SOLID BARE COPPER WIRE
- 4 IDENTIFICATION NUMBER 3-22. 3 FOR THE MAGNET WIRE SLOT SIZE AND 22 FOR THE LEADWIRE SLOT SIZE
- 5 POINT OF MEASUREMENT, LOCATED APPROXIMATELY AS SHOWN



INSERTION SPECIFICATION

1742941-1
PART NUMBER

THIS DRAWING IS A CONTROLLED DOCUMENT.		DRN: JR_RUTH 30NOV11 CHK: K_RANDOLPH 30NOV11 APVD: K_RANDOLPH 30NOV11 NAME:	TE Connectivity	
DIMENSIONS: mm [INCHES]	TOLERANCES UNLESS OTHERWISE SPECIFIED: 0 PLC ± - 1 PLC ± - 2 PLC ± ± 0.13[.005] 3 PLC ± - 4 PLC ± - ANGLES ± -	PRODUCT SPEC: 108-1484	TERMINAL, POSTED, DUAL IDC, MAG-MATE Slim Line	
MATERIAL: 4M PRE-MILLED BRASS FINISH: 0.002032[.000080] MIN TIN PLATE		APPLICATION SPEC: WEIGHT: - CUSTOMER DRAWING	SIZE: A1 CAGE CODE: 00779 DRAWING NO: 1742941	RESTRICTED TO: - SCALE: 10:1 SHEET: 1 OF 1 REV: A1